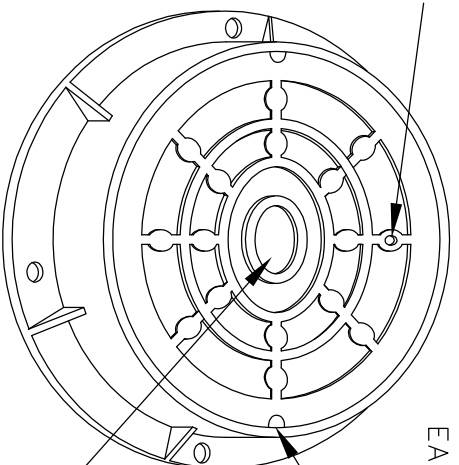


STANDARD FRAME AND COVERS
 EAST JORDAN IRON WORKS #V-1384
 US FOUNDRARY #USF-668, KL

WATERPROOF FRAME AND COVER
 U.S. FOUNDRARY #668-KL BWLT
 OR
 EAST JORDAN IRON WORKS #V-1384 WITH CAMLOCK

PROVIDE 1 VENT HOLE

FLAT SLAB FRAME AND COVER
 US FOUNDRARY #USF-1261, KL
 EAST JORDAN IRON WORKS #V-1845, #V-1384

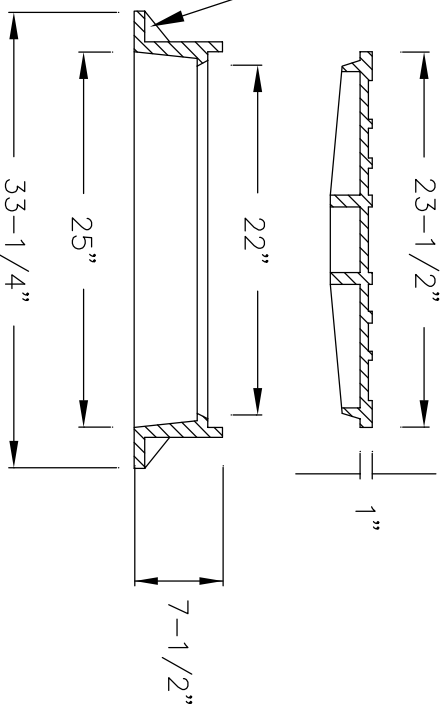


PROVIDE 2 PICK HOLES

"S" OR "SANITARY SEWER" SHALL BE CAST ON THE COVER

NOTE:
 MANHOLE FRAMES AND COVERS WITHIN 2500 PIPED FEET OF A PUMP STATION OR OTHER CORROSIVE LOCATIONS SHALL BE EAST JORDAN IRON WORKS #V1384 TREATED WITH THE "MICROWEAR" PROCESS AND DIPPED IN "MICROTECT" POLYMER COATING.

FOUR-1 IN DIA ANCHOR HOLES



STANDARD MANHOLE FRAME & COVER

NOT TO SCALE

**NORTH CHARLESTON
 SEWER DISTRICT**
 7255 STALL ROAD, NORTH CHARLESTON, SC 29406
 PH: (843) 764-3072 FAX: (843) 764-2655
NCS.D. STANDARD DETAILS

STANDARD MANHOLE FRAME & COVER
 REV. DATE: 3-2-2011 DWG#: GS-011